

Product Sheet: Memory Pressure Gauge 1 1/4" Welded Piezo III

Product Description

The Memory Pressure Gauges are designed to store data to memory. The data consists of temperature and pressure collected down-hole, which provide useful information about the well conditions.

By plugging in the battery, the operator starts the gauge and the program sequence. The tool ends when the battery or power supply is removed. Jobs can be downloaded individually, as a set, or merged together depending on preference.

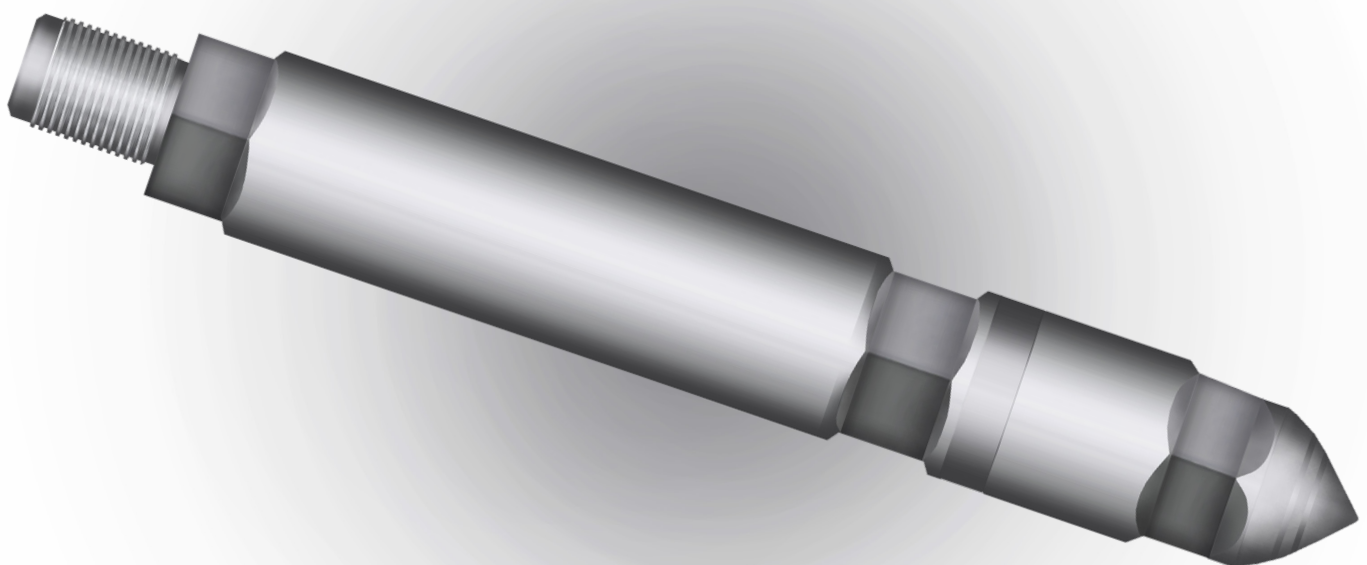
Technical Specifications

1.25" OD Welded Piezo III Memory Tool - Inconel 718

	Pressure	Temperature
	1,034 bar (15,000 psi)	177° C

Specifications

	Pressure	Temperature
Accuracy	0.022% F.S	0.25° C
Resolution	0.0003% F.S	0.005° C
Drift	<0.2069 bar / year (<3 psi / year)	<0.1° C / year
Capacity	1 Million Samples	
Communication Method	USB	



Product Sheet: Memory Pressure Gauge 1 1/4" Welded Piezo III

Product Features

- Electron Beam Welded
- Higher reliability - Shock Mounted Electronics
- 1 Million Sample Capacity
- Inconel 718 - NACE MRO 175

