

Product Sheet: Gauge Hanger (GH)

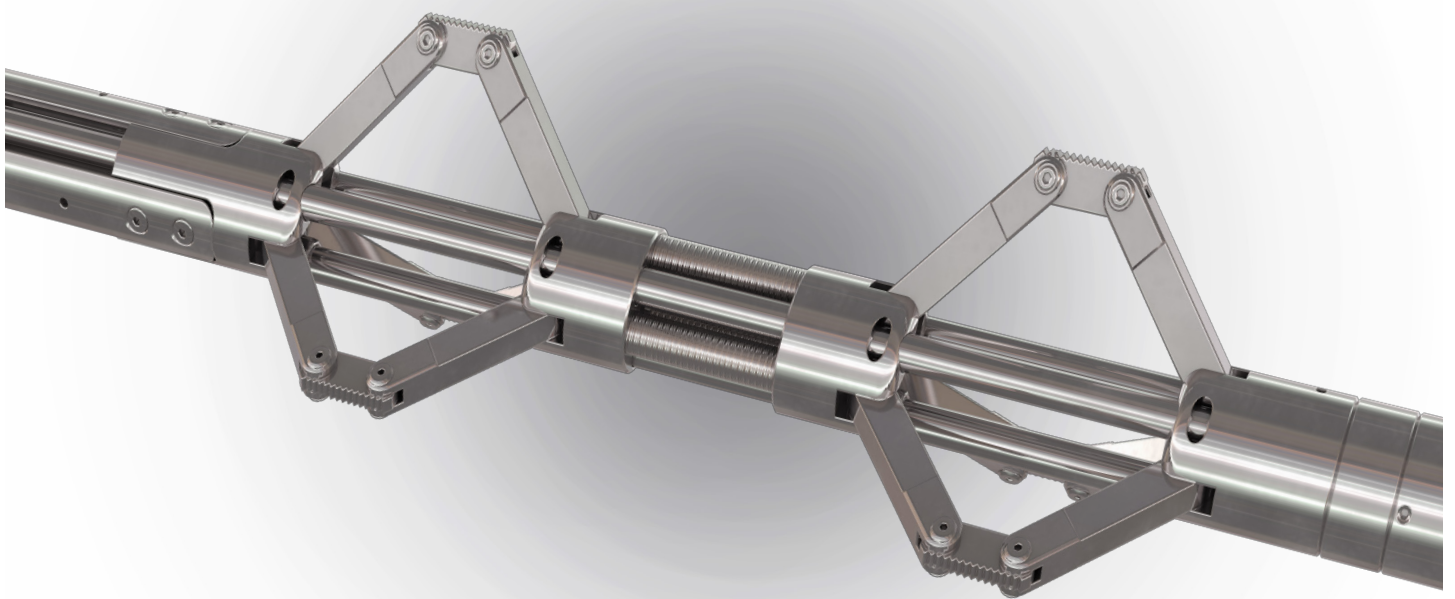
Product Description

The high expansion Gauge Hanger (GH) provides a reliable anchor for hanging off memory gauges and a variety of other tools. The GH is an ultra-slim design which allows it to be deployed through narrow restrictions or smaller completion tubing and set in larger ID liners/casings. Most importantly, the slim design minimises the restriction to flow, enabling better quality data to be recorded during production and/or injection conditions.

The GH provides a cost effective solution for data acquisition, with a variety of adaptor kits; allowing one size of GH to be set in a wide range of tubing sizes, weights and grades.

Product Benefits:

With an ultra slim design, the Gauge Hanger has low flow restriction and the ability to be deployed through narrow restrictions.



Product Sheet: Gauge Hanger (GH)

Product Application

The GH is most commonly used to hang off memory gauges in production and injection wells, however, it can also be used for anchoring abandonment equipment or swell packers.

Product Features

- High expansion
- Ultra-slim design
- High Load capacity
- Low flow restriction
- Short tool string
- Self-centralizing
- Standard setting and retrieval tools
- Run on slickline, e-line, CT and pipe
- Other sizes available on request

Technical Specifications

Csg Size *	Csg Wt (lbs/ft)	Model	OD	Adapter Kit	Flow Area Restriction	Length Run in Position
2 7/8"	6.4-11.65	150 GH	1 1/2"	288	52%	0.870 m (34.25")
3 1/2"	7.7-17.05	150 GH	1 1/2"	350	39%	0.922 m (36.30")
4 1/2"	13.2-10.5	150 GH	1 1/2"	450	32%	1.0 m (39.37")
4 1/2"	10.5-15.1	200 GH	2.0"	450	40%	1.297 m (51.06")
5 1/2"	15.5-26	200 GH	2.0"	550	30%	1.342 m (52.83")
7"	26-38	200 GH	2.0"	700	22%	1.467 m (57.76")
5 1/2"	15.5-26	288 GH	2 7/8"	550	50%	1.315 m (51.77")
7"	20-38	288 GH	2 7/8"	700	36%	1.395 m (54.92")
9 5/8"	40-58.4	288 GH	2 7/8"	1075	25%	1.772 m (69.76")
10 3/4"	60.7	288 GH	2 7/8"	1075	19%	1.823 m (71.77")