

Product Sheet: Quartz P/T Memory Gauge

Product Description

The Memory Pressure Gauges are designed to store data to memory. The data consists of temperature and pressure collected down-hole, which provide useful information about the well conditions.

By plugging in the battery, the operator starts the gauge and the program sequence. The tool ends when the battery or power supply is removed. Jobs can be downloaded individually, as a set, or merged together depending on preference.

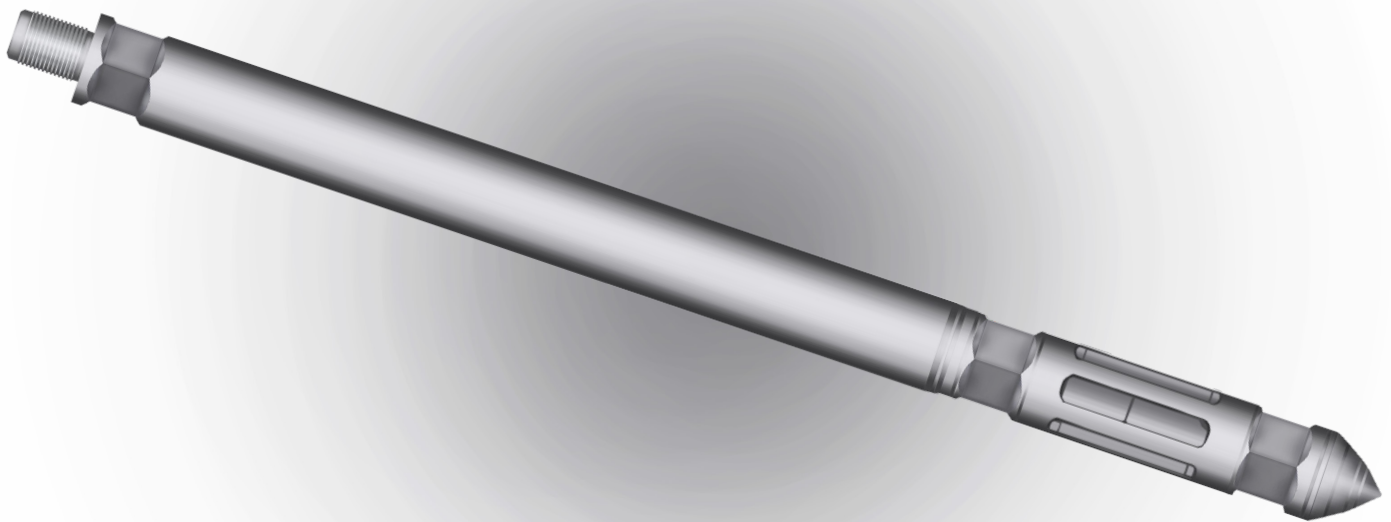
Technical Specifications

1.25" OD Quartz DXB and DXB II Memory Tool - Inconel 718

	Pressure	Temperature
	1,103.4 bar (16,000 psi)	177° C

Specifications

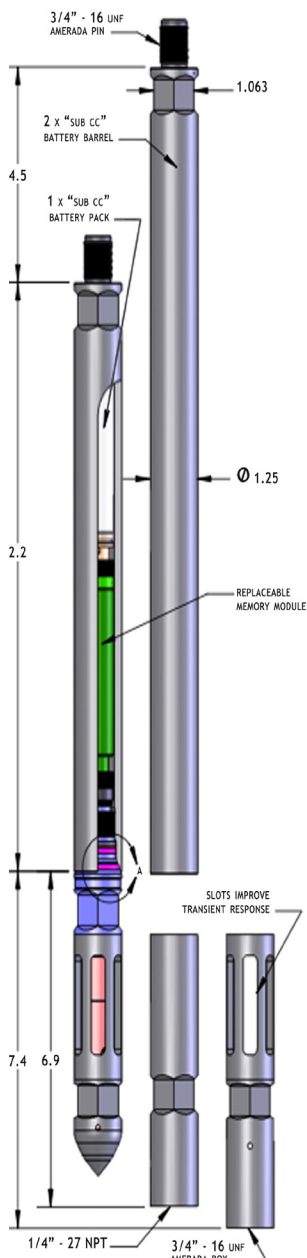
	Pressure	Temperature
Accuracy	0.020% F.S	0.25°C
Resolution	0.00006% F.S	0.005°C
Drift	<0.2069 bar / year (<3 psi / year)	<0.1° C / year
Capacity	2 Million Samples	
Communication Method	USB	



Product Sheet: Quartz P/T Memory Gauge

Product Features - DXB

- Super Seal Technology
30,000 psi at 1.25" OD
- 200° C Option
- Modular Memory Cartridge
- 2 Million Sample Capacity
- Inconel 718 or MP35N - NA CE MR0175



Product Features - DXB II

- One leak path:
Metal to Metal C-Ring
Triple O-Ring 200°C Option
- Modular Memory Cartridge
- 2 Million Sample Capacity
- Inconel 718 or MP35N - NA CE MR0175
- Fast Response

