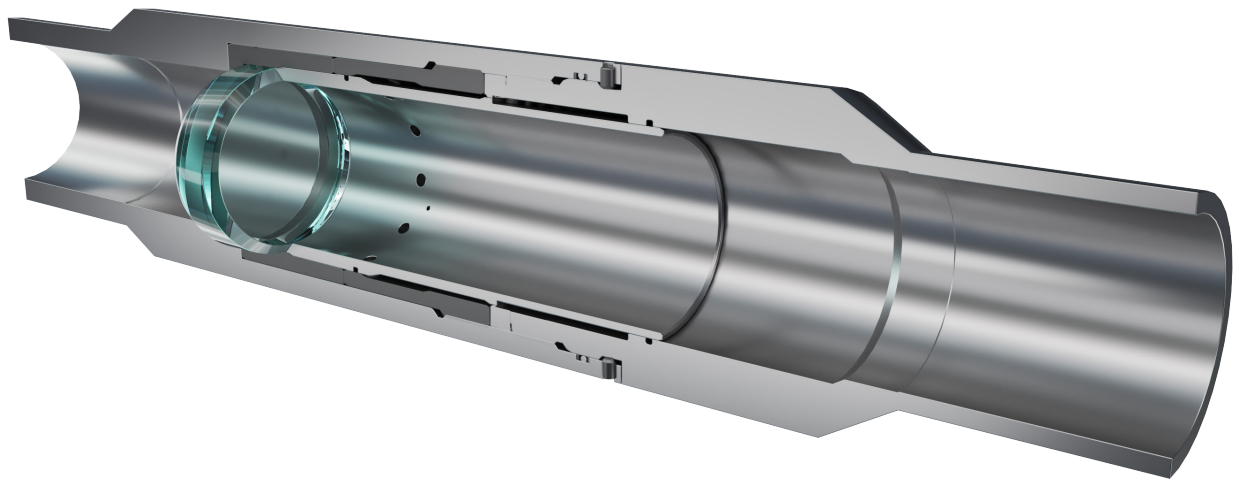


Inter Removable Barrier Device – Pump Open (IRBD-PO)



Description

The IRBD-PO is a bidirectional barrier plug, assembled with the required pup joint size in both ends. The assembly is integrated as part of the completion string and is qualified according to the ISO14310 Vo and ISO14998 Vo.

It has an initial closed state and a final open state which is activated by applying a predefined pressure. The opening pressure is determined by a number of shear screws and it remains closed until the pressure above it has exceeded the shear value.

The barrier element, which is glass then shatters, leaving a full-bore ID through the assembly for production and future intervention. The glass is designed to withstand extreme bidirectional loads and high temperatures, only small volume of it is required to withstand the load and it disintegrates into small particles after removal.

A secondary method for opening, e.g. milling or spear, is dependent on the deployment method used; coiled tubing, wireline and jointed pipe may be used.

Inter Removable Barrier Device – Pump Open (IRBD-PO)

Application

- Packer setting device
- Pressure testing device
- Fluid loss control device
- Barrier against the reservoir

Benefits

- Efficient removal
- Box/pin connections according to customer specifications
- No Interwell personnel required for installation or removal
- Small volume and particle size when barrier element shatters
- Bidirectional and gas tight barrier ISO14310 VO and ISO14998 VO
- Run as part of the completion string or below an intervention packer
- ISO14310 VO and ISO14998 VO qualified bidirectional and gas tight barrier

Technical Specifications

Model	ID	OD	Pressure Rating	Temperature Rating
235-420	2.40"	4.20"	414 bar / 6000 psi	150 °C / 300 °F
296-485	2.96"	4.85"	414 bar / 6000 psi	150 °C / 300 °F
391-575	3.91"	5.75"	518 bar / 7500 psi ⁽¹⁾	150 °C / 300 °F

⁽¹⁾ ISO14310 qualified to 7500 psi in 110 ksi material

Notes

- ID is excluding the end connections
- Can be delivered with various steel and elastomer materials
- Other sizes and ratings available upon request, please contact us for details